

GB40 Lithium **1000A** 12V | **6.0L**
3.0L Diesel

Lead Acid
Wet Gel MF EFB AGM
Auto | Marine | RV | Powersport | Lawn & Garden

Genius **BOOST+** Jump Starter™



NOCO
12V
Car & Truck™

Safely Jump Start A Dead Battery In Seconds.™

Cars, Boats, Motorcycles, ATVs, Trucks & More.

Ultra-safe, ultra-compact, rugged, and portable lithium-ion jump starter. Features **spark proof technology** and **reverse polarity protection**. Instantly jump starts most single-battery applications, up to **20 times** on a single charge. Ideal for a wide range of vehicles including trucks and engines up to **6.0L Gas** and **3.0L Diesel**.



UltraSafe™

Protects against reverse polarity, sparks, over-charging, over-current, open-circuits and over-heating.

20X

Jump Starts Per Charge

Full power to jump start a vehicle up to 20 times in one charge. Compatible with engines up to 6.0L.



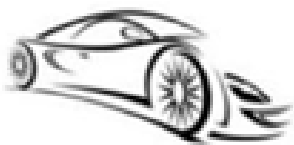
USB

Recharge virtually any USB device (smartphones, tablets). Recharge the unit from any USB port or 12V charger (incl).

2XLED

Ultra-bright dual LED flashlight for visibility and with 7 modes, including SOS and emergency strobe.

For Engines Up To **6.0L 3.0L Diesel** For 12V Vehicles With Single Battery Systems



Auto Dealer Marketing Solutions

33 Vine Brook Rd
Westford, Ma 01886
Dick Hurd (781) 910-0869
Email: D.Hurd@CWS1.org

Sales Tax Additional
Part # GB40
Your Cost \$99.95

More Power,

A Fraction Of The Size.

8X Lighter

8X Smaller

+ Holds Charge 4 Times Longer

Available Starting Power (joules) = Power (w) X Time (sec)



VS



Genius **BOOST+**™

Leading Traditional Jump Starter

2.3lbs
7035joules³⁵

18lbs
6950joules³⁵

! Manual Override is a special feature designed for rare situations when a vehicle's battery is below 2-volts. Simply press and hold the manual override button for 3 seconds, until the Boost LED starts flashing, to enter into the mode. Press the button again (Or the power button) to exit Manual Override. This mode should be used cautiously, as Manual Override disables safety protection while enabled.



Recharge Unit
From Any
USB Or
12V Port.

USB 2.1A

Charge Virtually Any
USB Device, Including
Smartphones And Tablets.

NOCO Designed In The USA
Patent US 9,007,015 B1

Technical Specifications

Internal Battery:	Lithium Ion	Micro USB (Input):	5V, 2.1A
Peak Current Rating:	1000A	USB (Output):	5V, 2.1A
Joules ³⁵ :	7000 J	Housing Protection:	IP65 (w/ Ports closed)
Operating Temperature:	-30°C to +50°C	Cooling:	Natural Convection
Charging Temperature:	0°C to +40°C	Dimensions (LxWxH):	6.7 x 3.2 x 1.7 in
Storage Temperature:	-20°C to +50°C (Average Temperature)	Weight:	2.4 Pounds
		Lumens (LEDs):	100L

What's In The Box

- GB40 Boost+ Jump Starter
- 40" Micro USB Cable
- 12V USB Charger
- X Connect HD Battery Clamps
- User Guide and Information Guide & Warranty

Recharging a GB40 (for reference, results may vary)

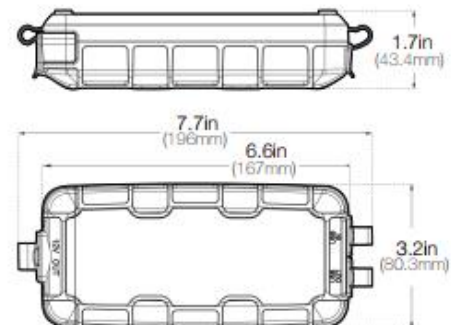
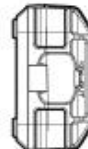
USB Charger Rating	Charging Time
.5A	12hr
1A	6hr
2A	3hr

Retail Packaging:

Dimensions: 4.6"x4.2"x8.2"
Weight: 2.7lbs
UPC: 0-46221-15002-5
Inner Carton:
Dimensions: 8.5"x4.9"x4.7"
Weight: 3lbs

Master Carton:

Dimensions: 15.6"x9.1"x10.3"
Weight: 18.9lbs
Quantity: 6
UCC: 10046221150022
Units Per Pallet: 360 Units



Auto Dealer Marketing Solutions

33 Vine Brook Rd
Westford, Ma 01886
Dick Hurd (781) 910-0869
Email: D.Hurd@CWS1.org

Sales Tax Additional
Part # GB40
Your Cost \$99.95